

# Network Video Recorder

## NVR524-E Series



### Features

- Support Ultra 265/H.265/H.264 video formats
- 128/256-channel input
- Third-party IP cameras supported with ONVIF conformance: Profile S, Profile G, Profile C, Profile Q, Profile A, Profile T
- Support 2-ch HDMI, 2-ch VGA, HDMI1 at up to 8K(7680x4320) resolution
- HDMI1/ VGA1 and HDMI2/VGA2 independent outputs provided
- Up to 32 Megapixels resolution recording
- Support HDD hot swap with RAID 0, 1, 5, 6, 10, 50, 60 storage scheme configurable
- Support 12V power output
- ANR technology to enhance the storage reliability when the network is disconnected
- Support cloud upgrade
- Support N+1 Hot spare

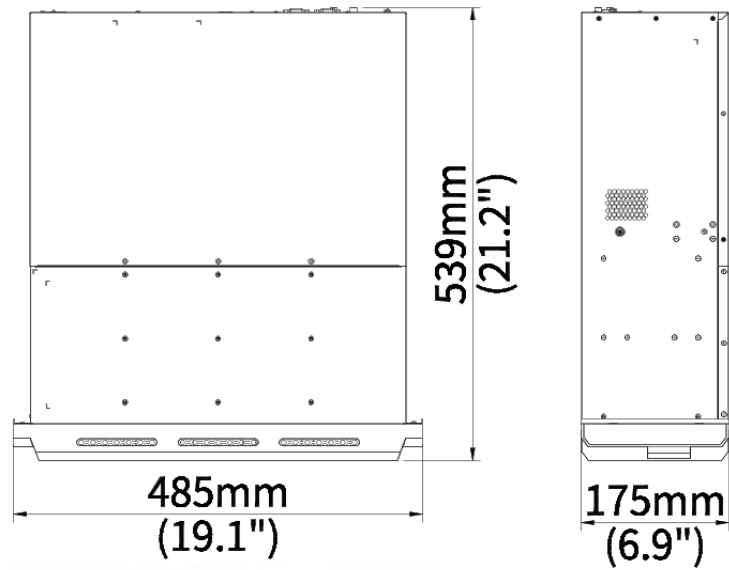
### Specifications

Decoding	Description
Decoding Format	Ultra 265, H.265, H.264
Decoding Capability	2 x 32MP@30, 4 x 16MP@30, 5 x 12MP@30, 8 x 4K@30, 12 x 5MP@30, 20 x 3MP@30, 32 x 1080P@30, 64 x 720P@30, 128 x D1
Audio Compression	G.711A, G.711U
Network	Description

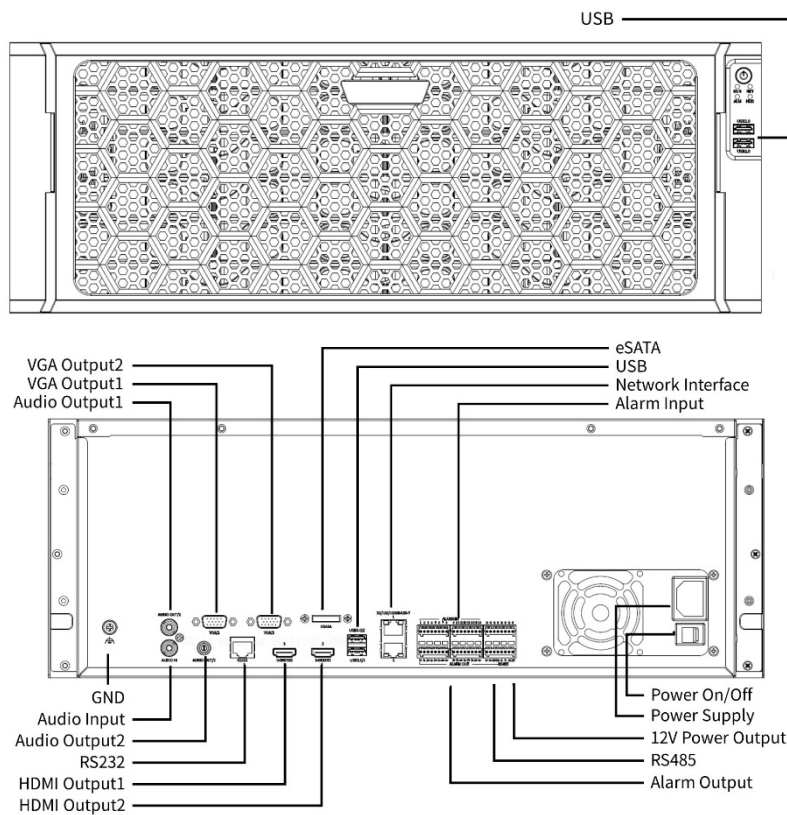
Incoming Bandwidth	640Mbps
Outgoing Bandwidth	640Mbps
Protocols	TCP/IP;P2P;UPnP;NTP;DHCP;PPPoE;HTTP;HTTPS;DNS;DDNS;SNMP;SMTP;NFS;RTSP;802.1x;IPV6
Browser(Plugin)	Windows:IE(IE10/11), Firefox (version 52.0 and above), Chrome(version 45 and above), Edge(version 79 and above)
Video/Audio Input	Description
IP Video Input	NVR524-128E:128-ch NVR524-256E:256-ch
RCA Audio Input	1-ch
Video/Audio Output	Description
Video Output	Support 2-ch HDMI, 2-ch VGA. VGA1 and HDMI1 simultaneous output, VGA2 and HDMI2 simultaneous output, VGA1/HDMI1 and VGA2/HDMI2 independent output
HDMI Output	HDMI1: 8K(7680x4320)/30Hz, 4K(3840x2160)/60Hz, 1920x1080/60Hz, 1600x1200/60Hz, 1280x1024/60Hz, 1280x720/60Hz, 1024x768/60Hz HDMI2: 4K(3840x2160)/60Hz, 1920x1080/60Hz, 1600x1200/60Hz, 1280x1024/60Hz, 1280x720/60Hz, 1024x768/60Hz
VGA Output	VGA1,VGA2: 1920x1080/60Hz, 1600x1200/60Hz, 1280x1024/60Hz, 1280x720/60Hz, 1024x768/60Hz
RCA Audio Output	2-ch
Liveview Display	1/4/6/8/9/16/25/36/64
Corridor Mode Screen	3/4/5/7/9/10/12/16/32
Two-way Audio	Description
Two-way Audio	1-ch, RCA(Using the audio input and output)
Snapshot	Description
FTP/Schedule/Event Snapshot	16-ch snapshot, up to 4K resolution
Recording	Description
Recording Resolution	32MP/16MP/12MP/8MP/6MP/5MP/3MP/1080P/960P/720P/D1/2CIF/CIF
Synchronous Playback in Local	16-ch
Smart	Description
VCA Detection by IPC	Face Detection;SIP(Intrusion Detection, Cross Line Detection, Enter Area, Leave Area);Ultra Motion Detection(UMD);Temperature Detection(Fire Detection, Smoking Detection, Temperature Measurement, Smoke and Fire Detection);People Counting(People Flow Counting, Crowd Density Monitoring);Video Metadata;Traffic Monitoring
VCA Search	Motor Vehicle Search;Non-Motor Vehicle Search;Human Body Search;General Search;People Counting Report;Heat Map
Smart by IPC	All channels (up to 32 images/s in total)Face Detection, Vehicle Detection, Temperature Detection, SIP, UMD, Video Metadata, Traffic Monitoring
Alarm	Description
General Alarm	Motion Detection;Tampering;Human Body Detection;Video Loss;Alarm Input;Audio Detection;People Present Alarm
Alert Alarm	IP Conflict;Network Disconnected;Disk Offline;Disk Abnormal;Illegal Access;Hard Disk Space Low;Hard Disk Full;Recording/Snapshot Abnormal;Array Damaged;Array Degraded
GUI Language	Description

GUI Language	/
<b>Hard Disk</b>	<b>Description</b>
SATA	24 SATA Interfaces
Capacity	Up to 16TB for each HDD(The maximum HDD capacity varies with environment temperature)
Disk Array Type	RAID 0, 1, 5, 6, 10, 50, 60
Hot Swap	Support
<b>External Interface</b>	<b>Description</b>
Network Interface	2 RJ45 10M/100M/1000M self-adaptive Ethernet Interface
USB	Front panel: 2 x USB2.0;Rear panel: 2 x USB3.0
RS485	1
RS232	1
Alarm In	16-ch
Alarm Out	10-ch
eSATA	1
Power Output	12V
Power Supply	AC 100 ~ 240 V
Power Switch	Support
<b>Working Environment</b>	<b>Description</b>
Working Temperature	-10 ° C ~ 55 ° C (14 ° F ~ 131 ° F)
Working Humidity	≤ 90% RH (non-condensing)
Power Consumption (without HD D)	≤ 50W
<b>Dimensions</b>	<b>Description</b>
Weight (without HDD)	≤ 10Kg (22.05lb)
Dimensions	485mm × 539mm × 175mm (19.1"×21.2"×6.9")
<b>Certification</b>	<b>Description</b>
Certification	CE, FCC, RoHS, WEEE
CE	EN 55032, EN 61000-3-3, EN IEC 61000-3-2, EN 55035
FCC	Part15 Subpart B

## Dimensions



## Rear Panel



No. 369, Xietong Road, Xixing Sub-district, Binjiang District, Hangzhou City, 310051, Zhejiang Province, China

Email: [overseasbusiness@uniview.com](mailto:overseasbusiness@uniview.com); [globalsupport@uniview.com](mailto:globalsupport@uniview.com)

<http://www.uniview.com>

©2023-2024 Zhejiang Uniview Technologies Co., Ltd. All rights reserved.

\*Product specifications and availability are subject to change without notice.

\*Despite our best efforts, technical or typographical errors may exist in this document. Uniview cannot be held responsible for any such errors and reserves the right to change the contents of this document without prior notice.